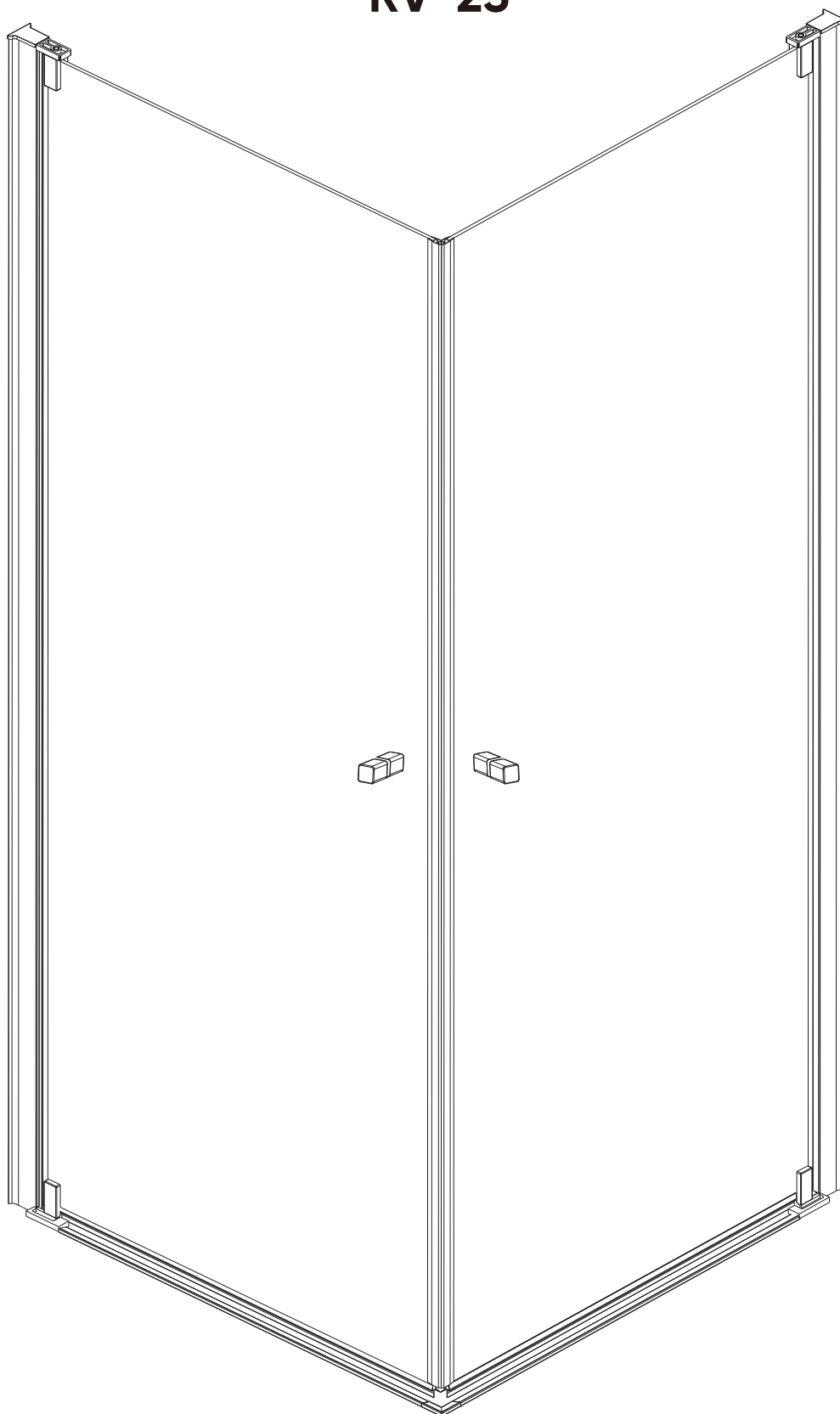
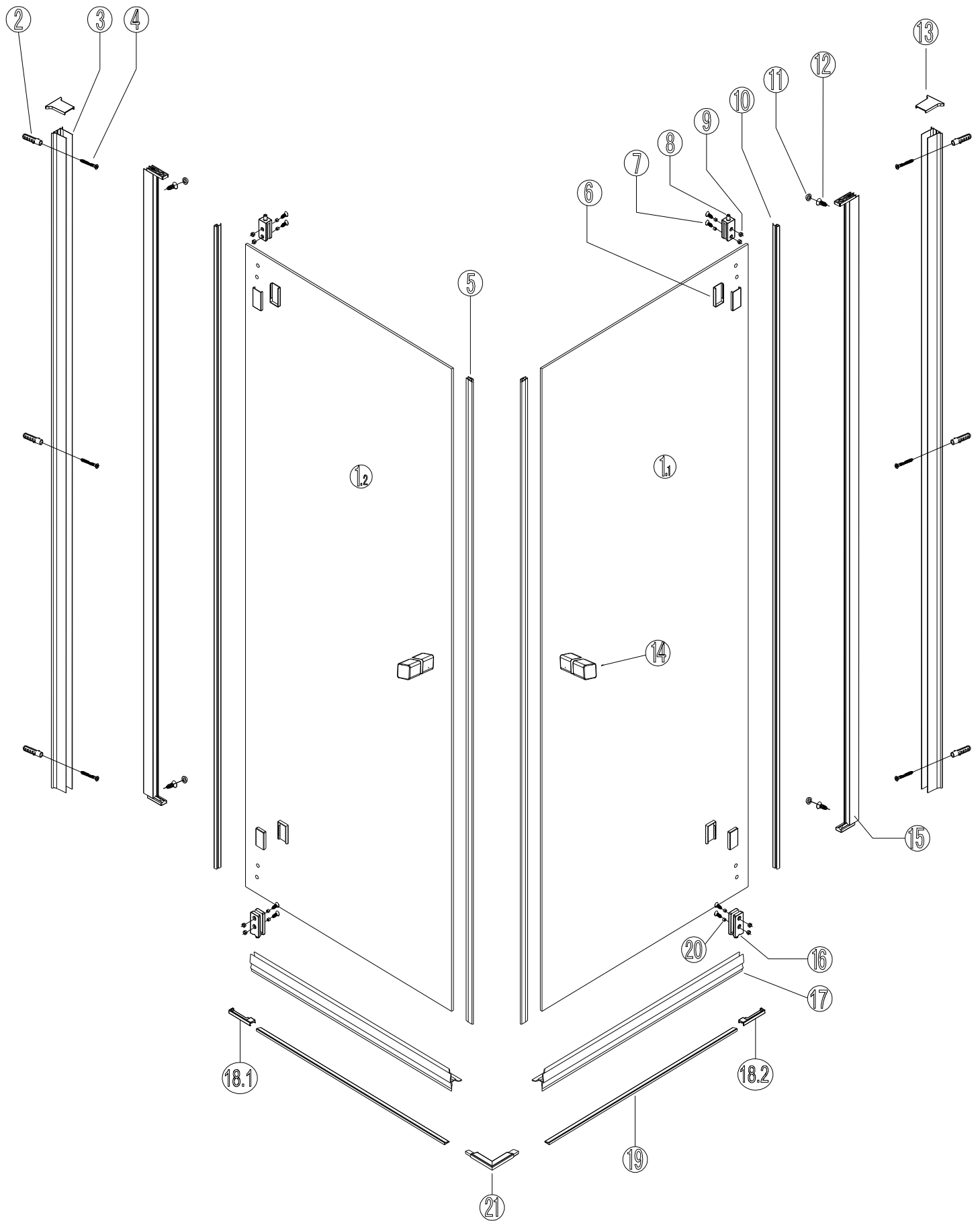
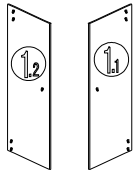
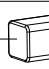
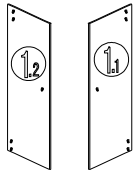

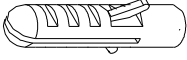
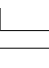


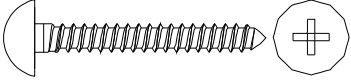
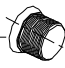
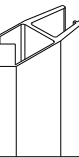
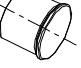
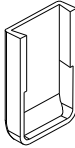



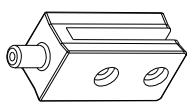

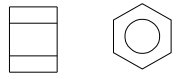





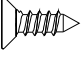
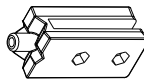
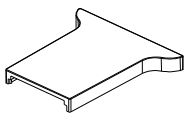
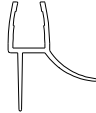
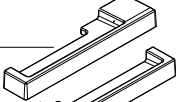

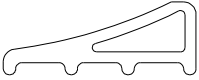

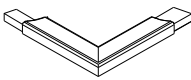




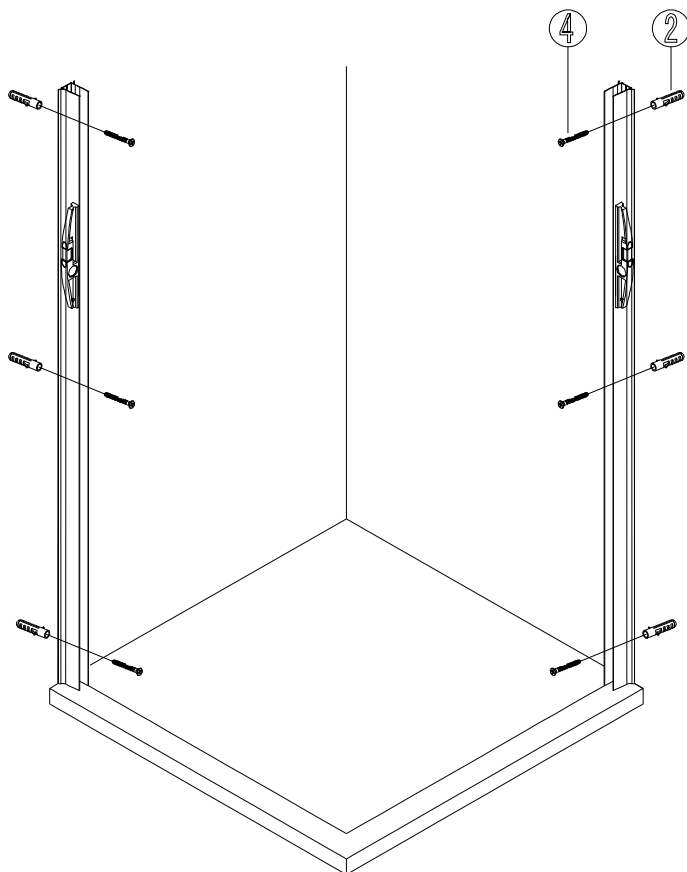
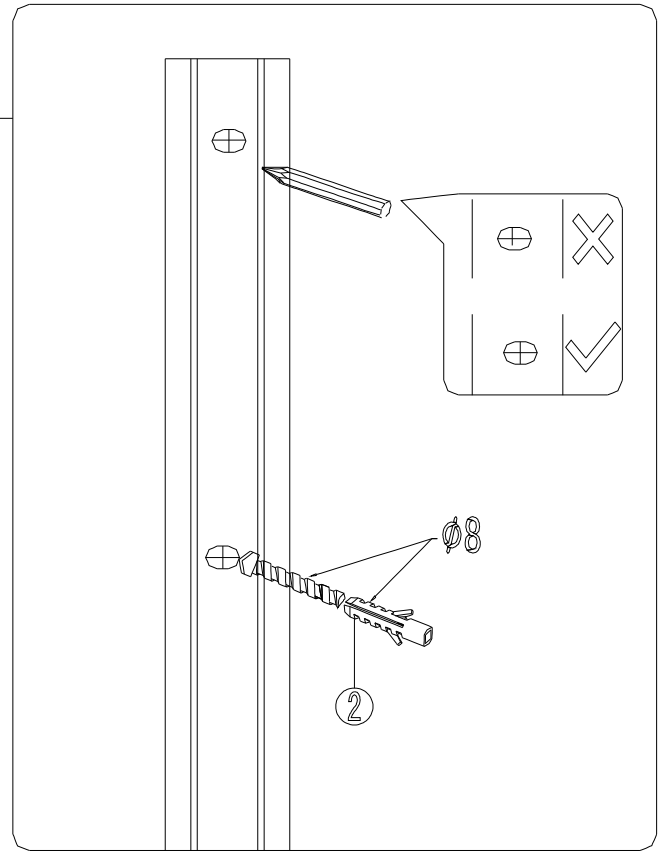
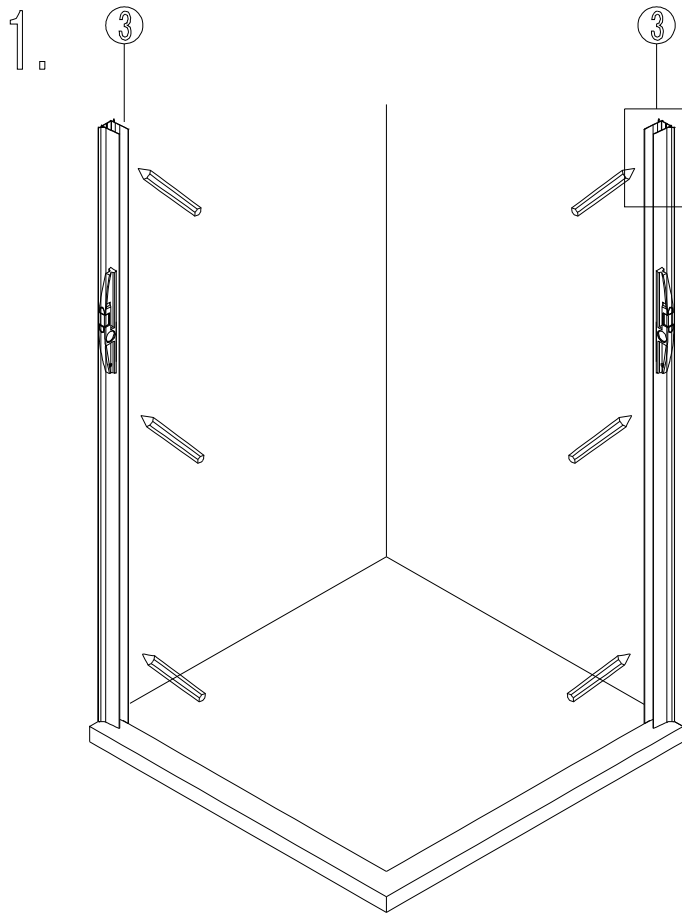
Инструкция по установке

RV-23

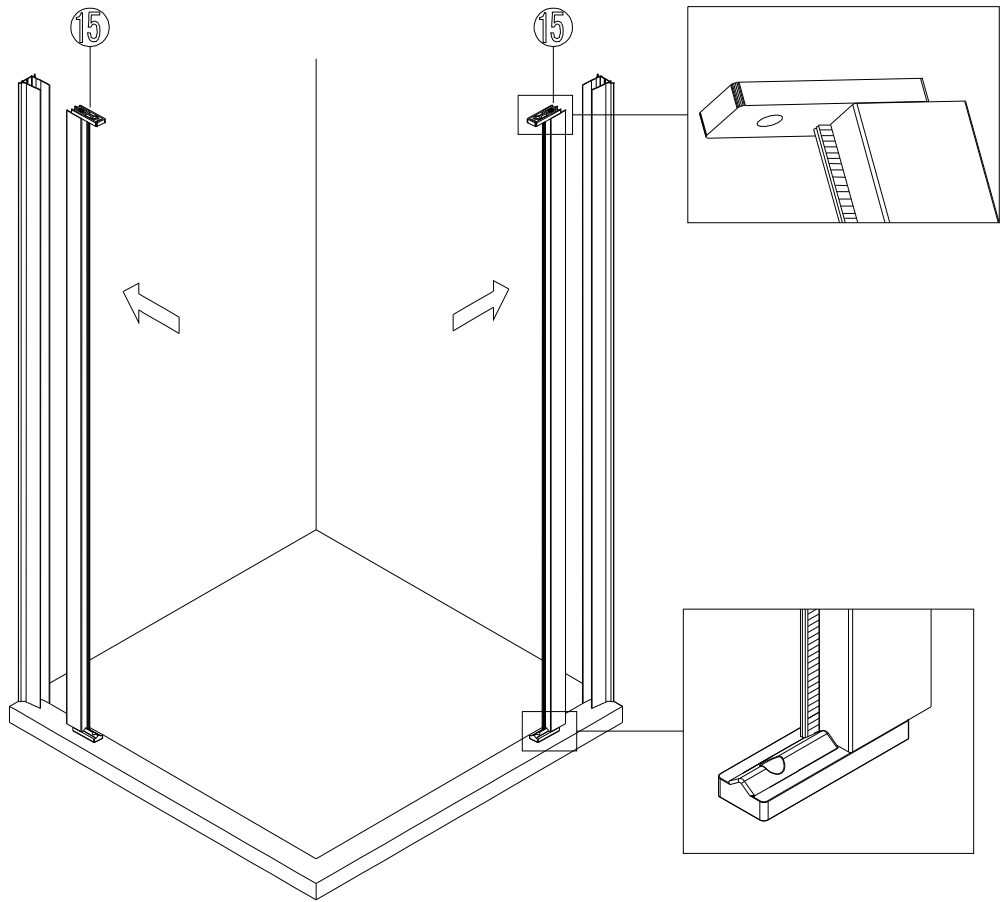




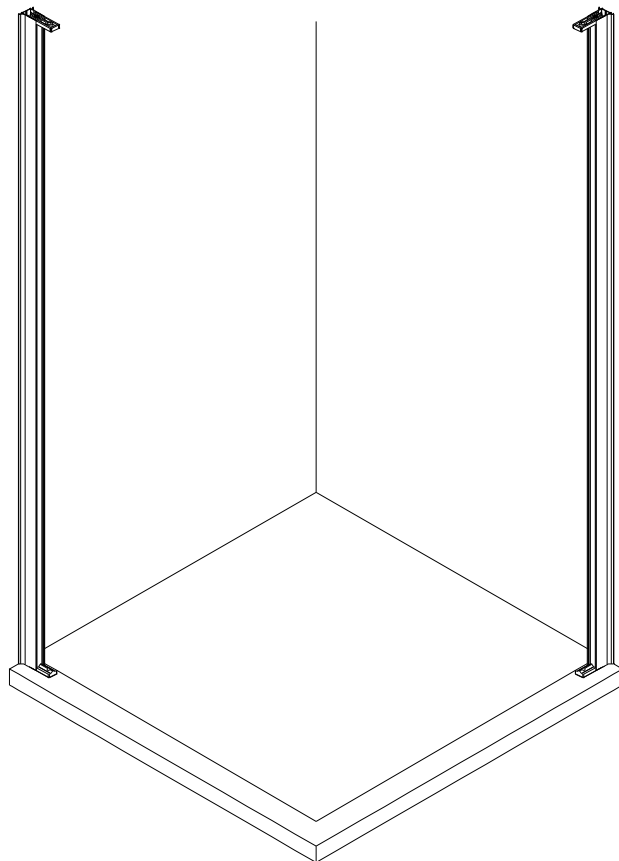
| NO. | Designation | Pieces | NO. | Designation | Pieces |
|----------------|---|--------|--|--|--------|
| 1 ₁ |  | X 1 | 14 | A. 1  | X2 |
| 1 ₂ |  | X 1 | | A. 2  | X2 |
| 2 |  | X6+1 | | A. 3  | X1 |
| 3 |  | X2 | | A. 4  | X1 |
| 4 |  ST4 X 35 | X6+1 | | B. 1  | X1 |
| 5 |  | X2 | | B. 2  | X1 |
| 6 |  | X8 | 15 | C. 1  | X1 |
| 7 |  M4X16 | X8+1 | | C. 2  | X2 |
| 8 |  | X2 | | C. 3  | X2 |
| 9 |  M4 | X8+1 | | C. 4  | X4 |
| 10 |  | X2 | | C. 5  | X1 |
| 11 |  | X4+1 | | C. 6  | X1 |
| 12 |  ST4X10 | X4+1 | 16 |  | X2 |
| 13 |  | X2 | | 17  | X2 |
| | | | | 18.1  | X1 |
| | | | 18.2  | X1 | |
| | | | 19  | X2 | |
| | | | 20  | X8+1 | |
| | | | 21  | X1 | |
| | | |  Ø8 | | |
| | | |  Ø3.2 | | |



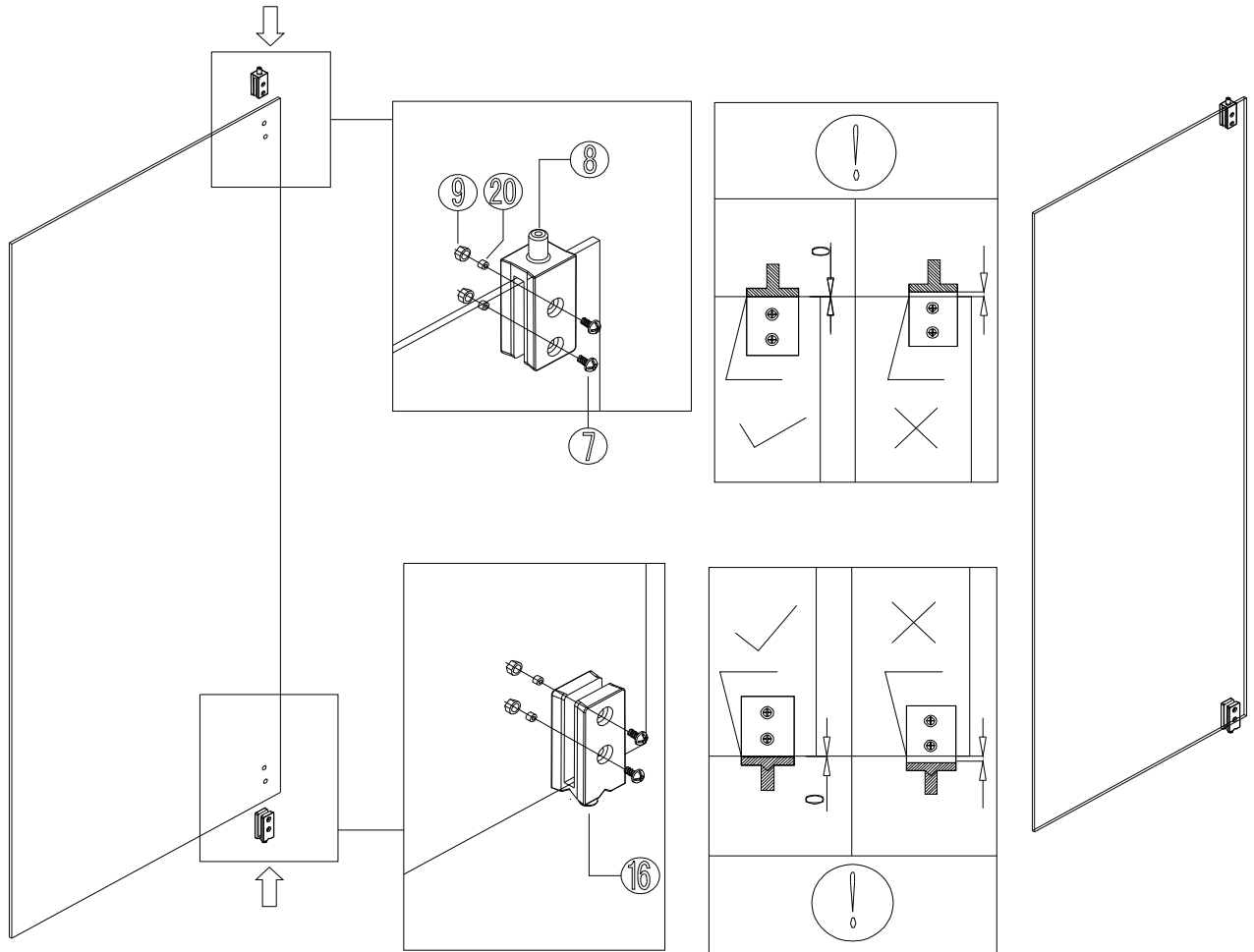
2.



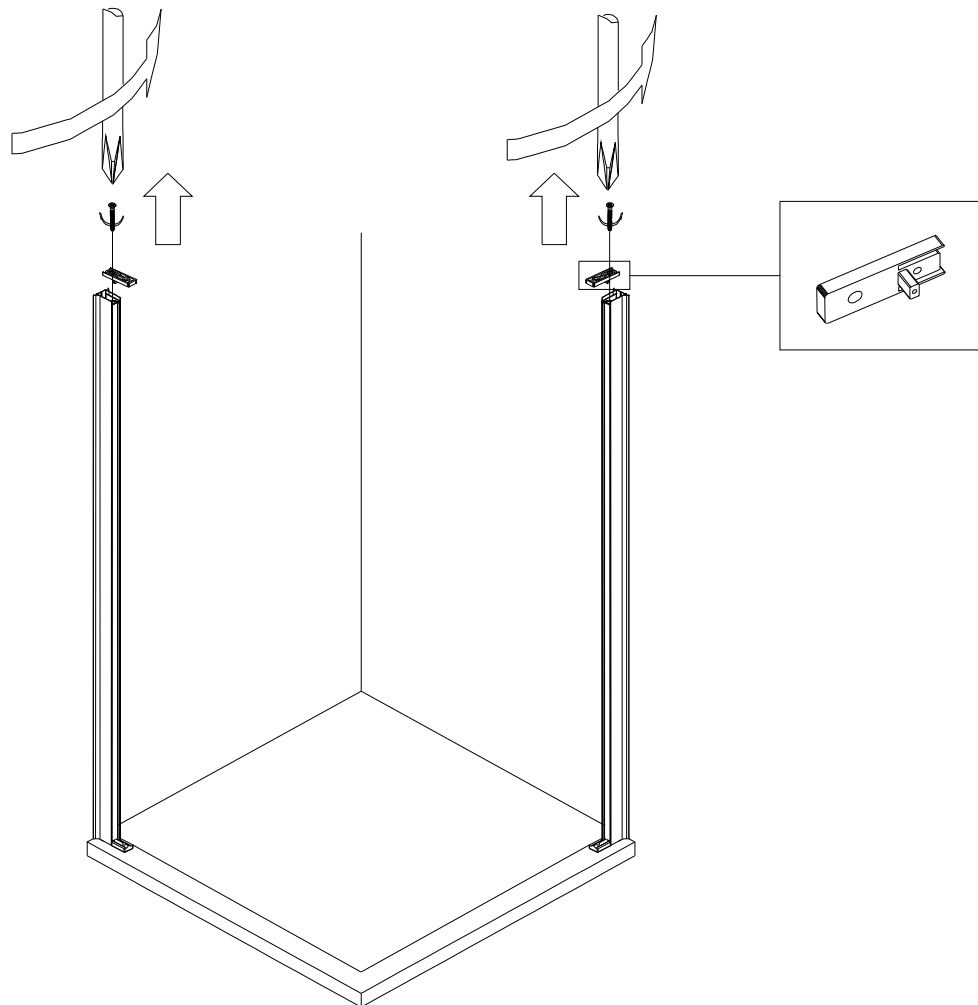
3.



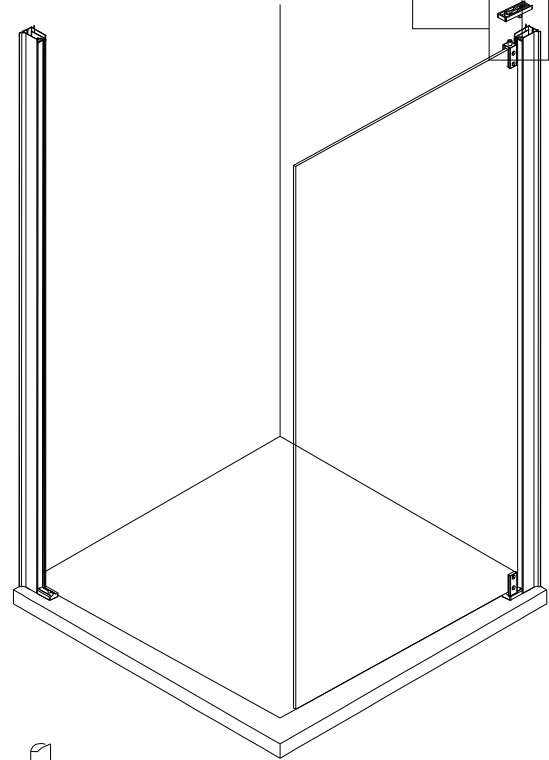
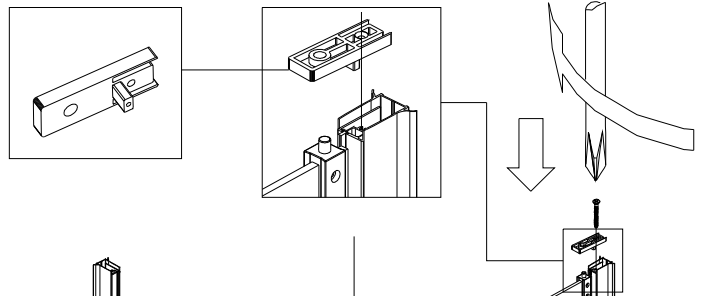
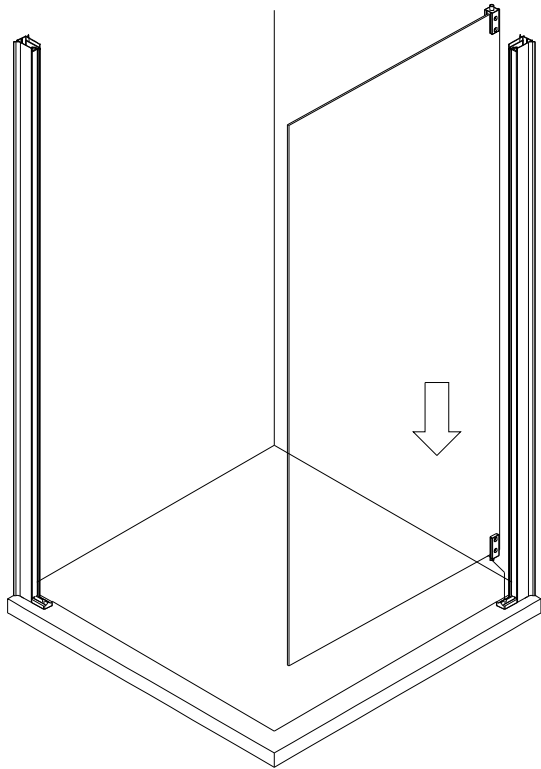
4.



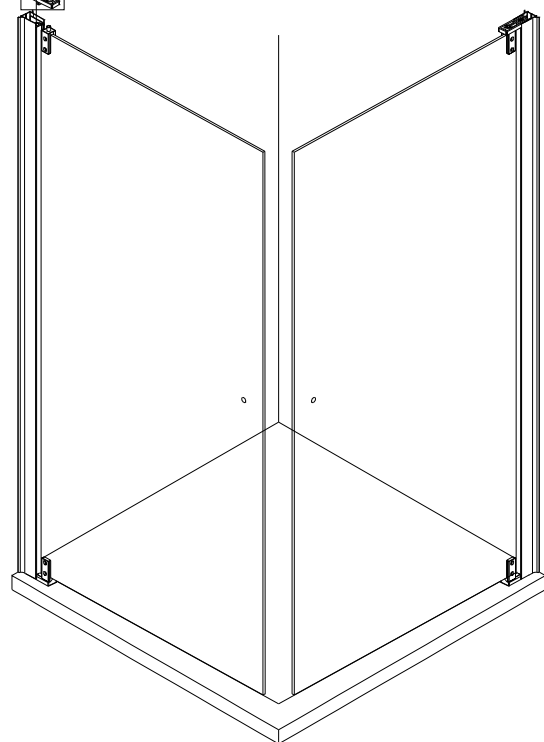
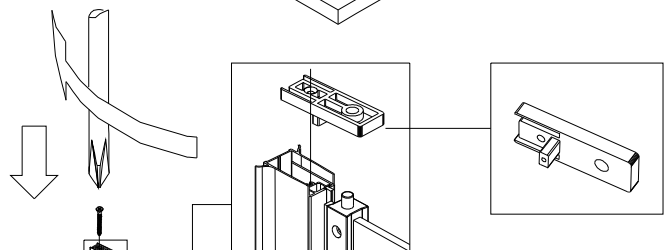
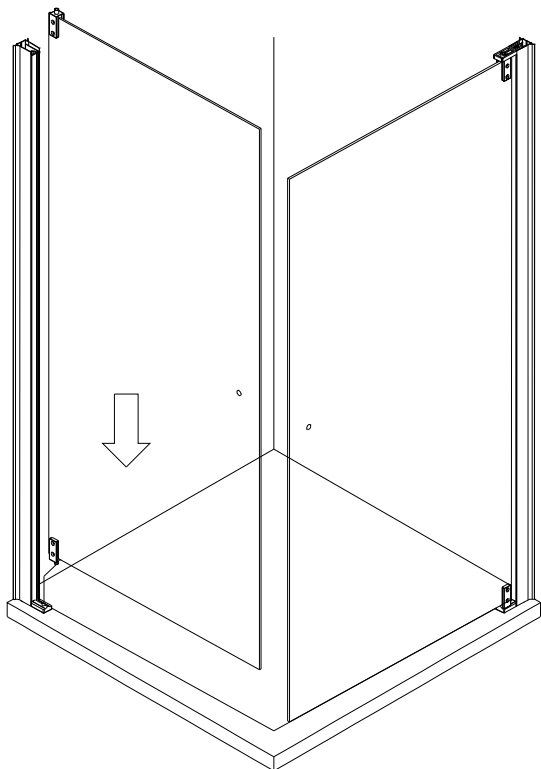
5.



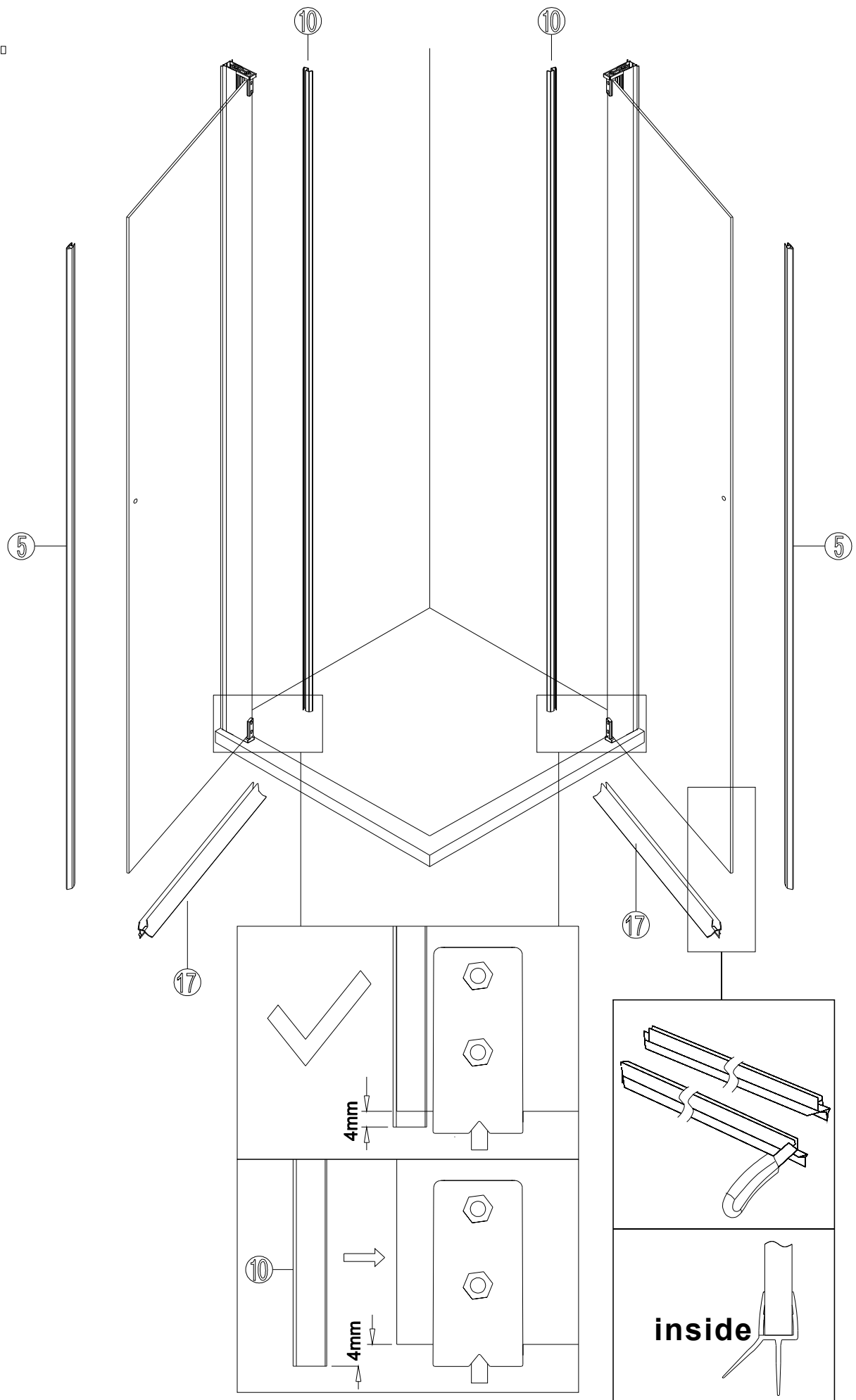
6.



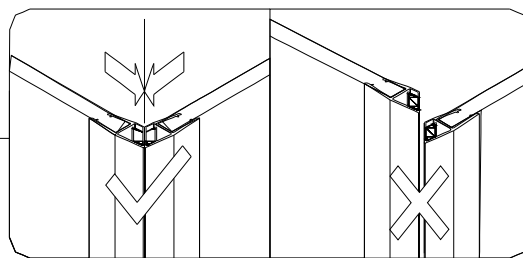
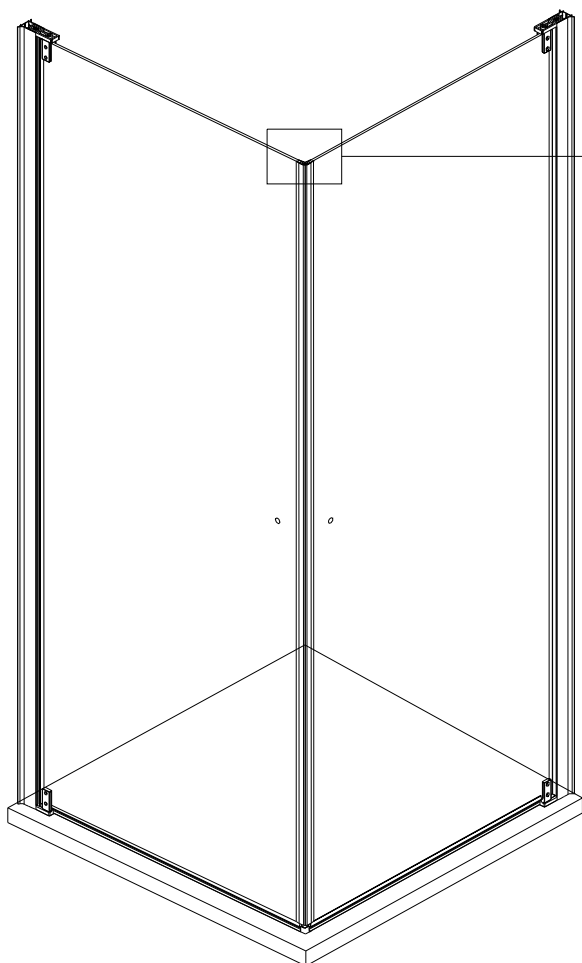
7.



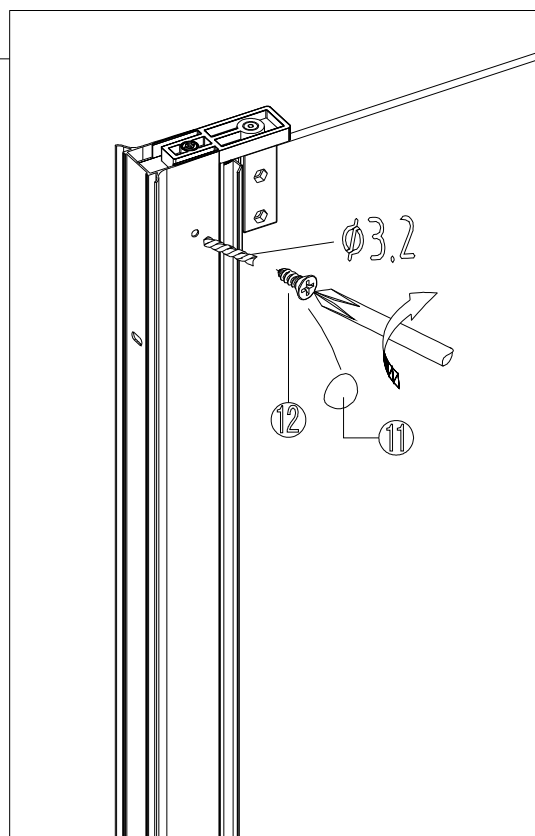
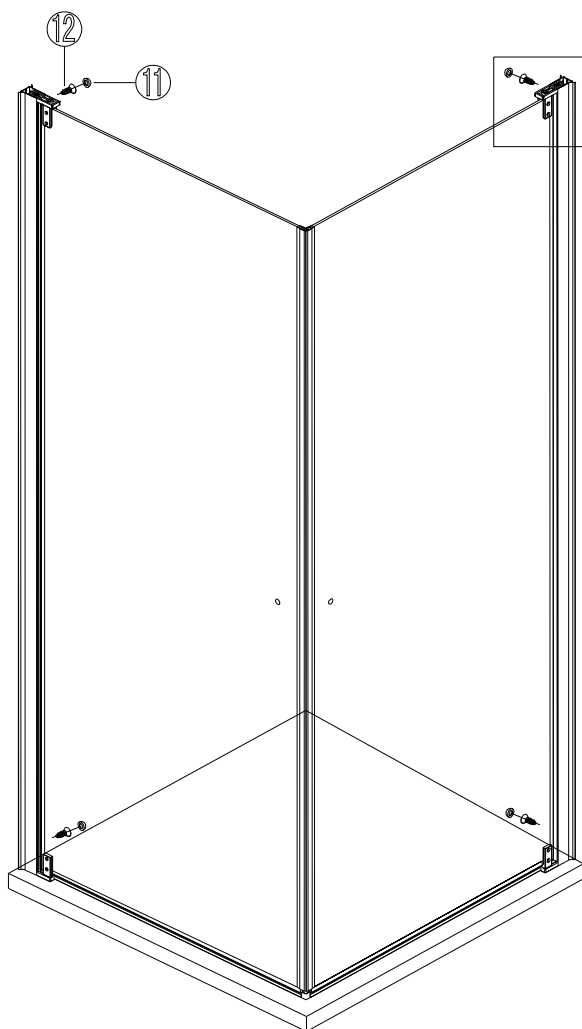
8.



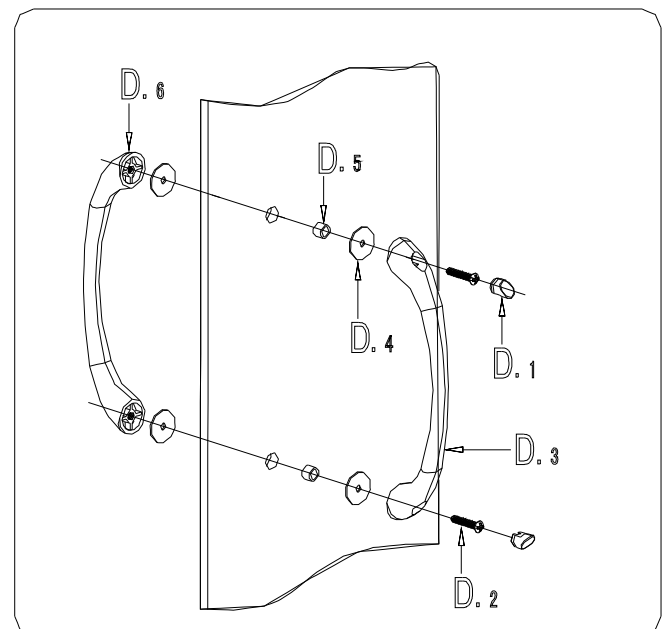
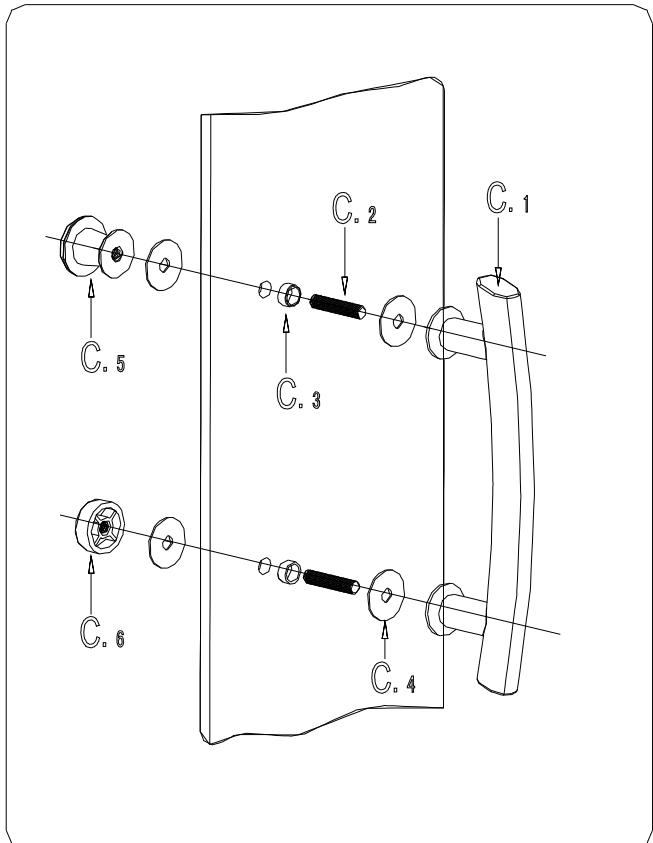
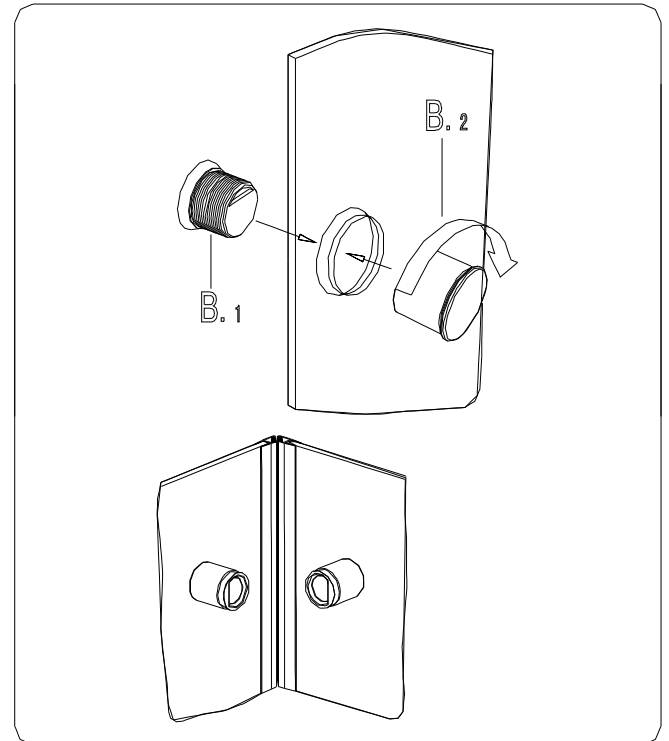
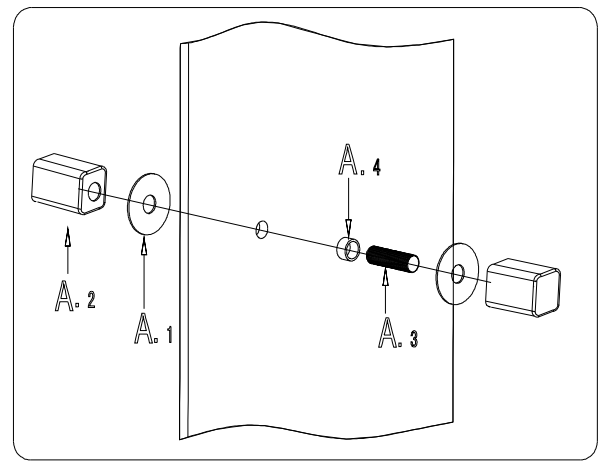
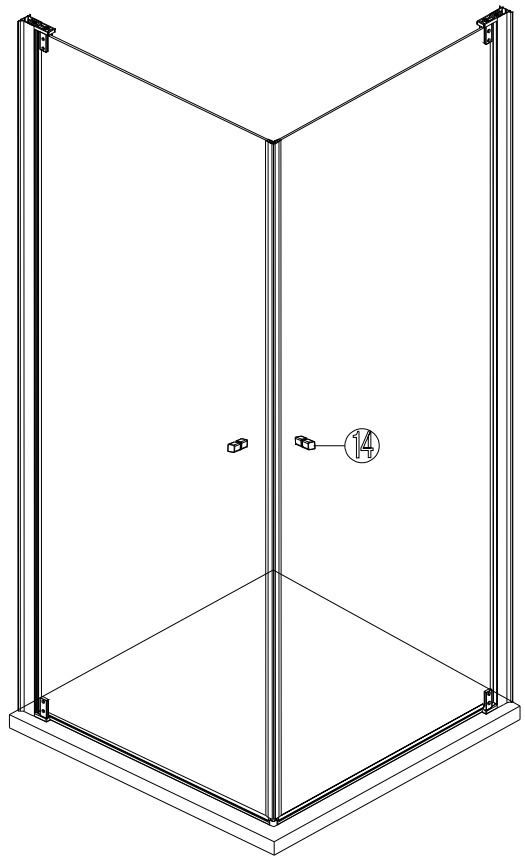
9.



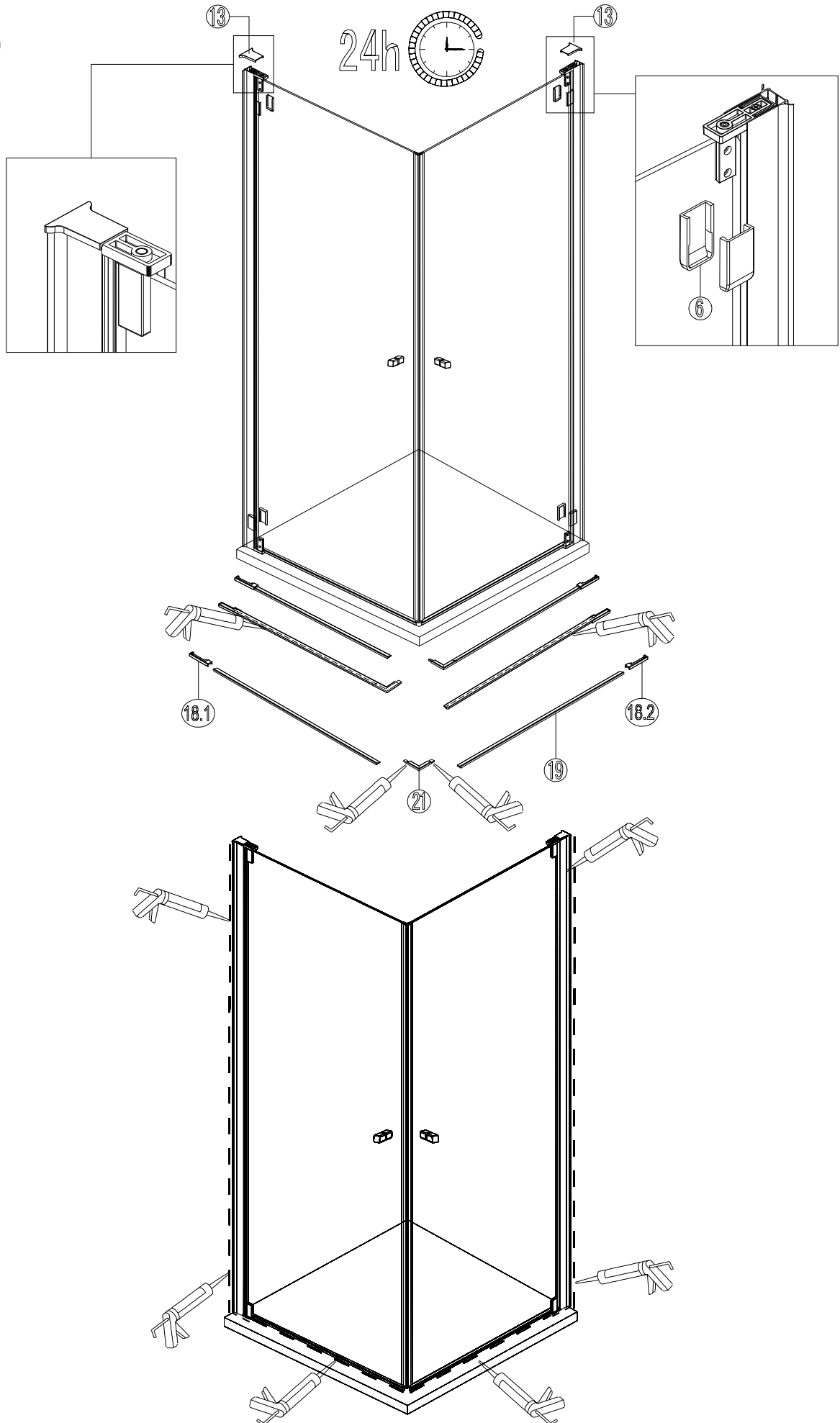
10.



11.



12.



13.

