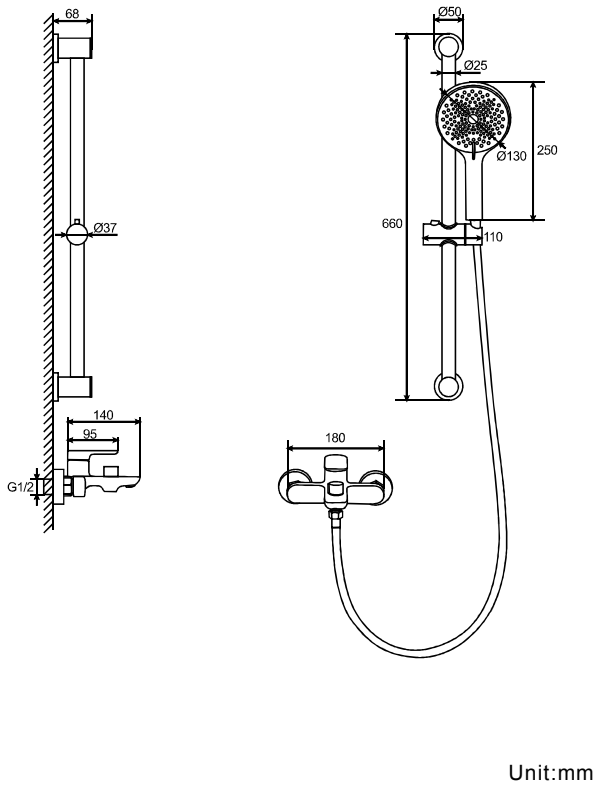


Model:8303



Tools you may need:

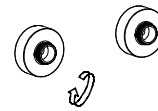


①



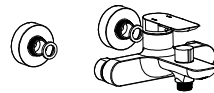
As shown, install the accessories attach the tape.

②



Tighten the decorative cover clockwise

③



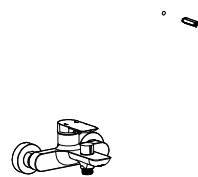
Install the main body and rubber pad.

④



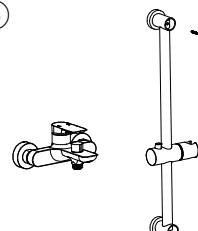
Place the rail at the right height and mark the perforation positions with a marker.

⑤



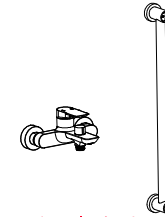
Drill holes for install

⑥



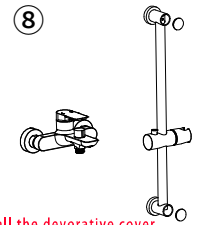
Install the rail and tighten.

⑦

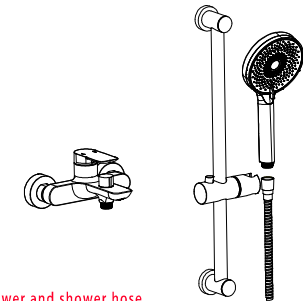


Make sure the rail is fixed.

⑧



Install the decorative cover.



Install the hand shower and shower hose.

Cleaning instructions:

Remove surface dirt with water and a soft cotton cloth. Alternatively, wash the plated surface with neutral soapy water and dry the entire surface thoroughly with a clean soft cloth. Many cleaning agents such as ammonia, detergent and toilet cleaner can cause damage to the plated surface and should not be used.