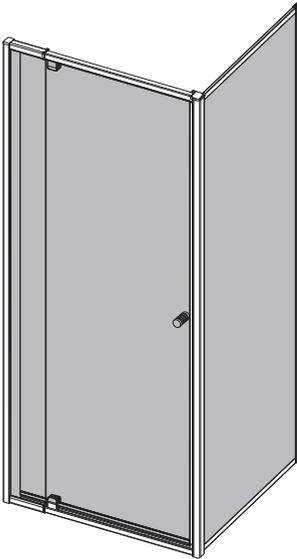
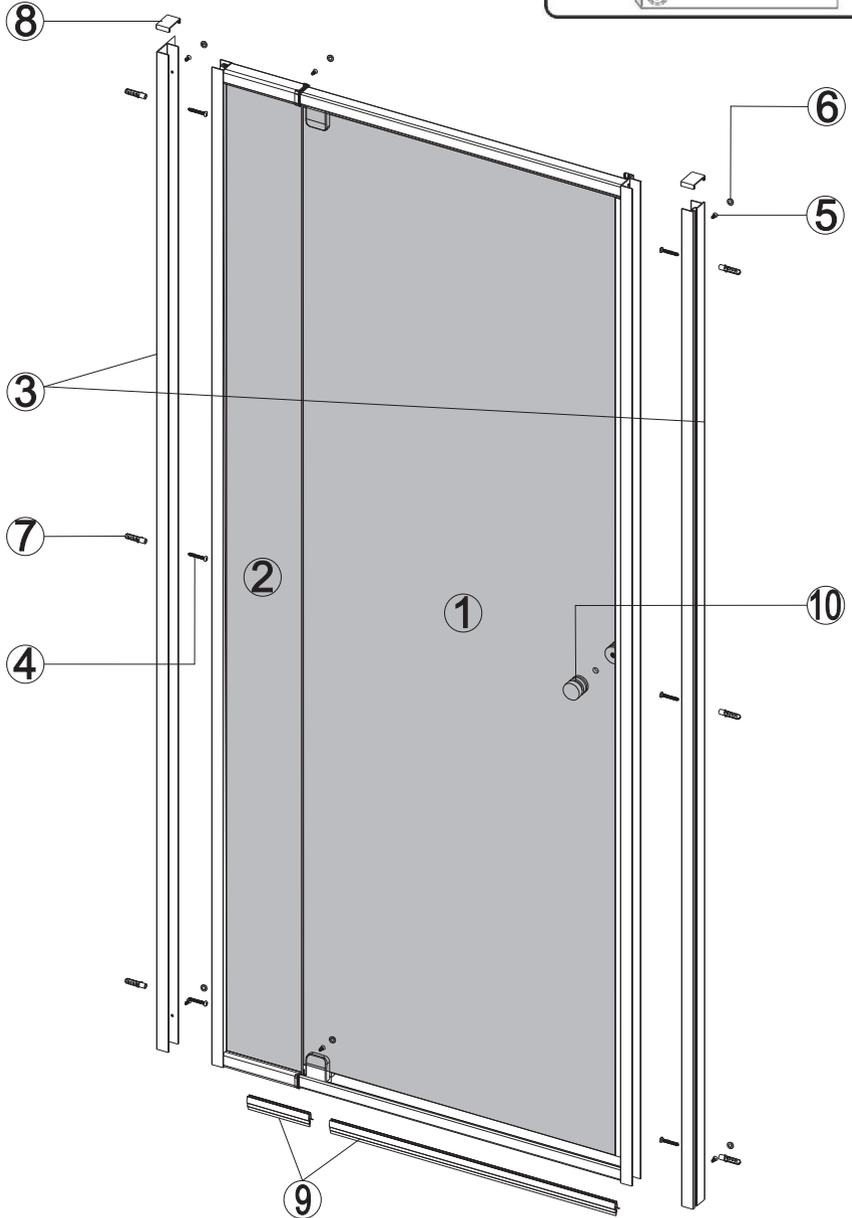
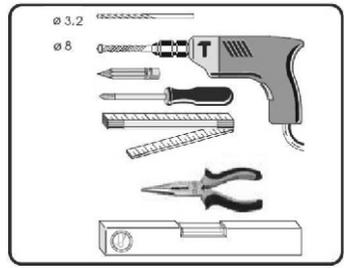
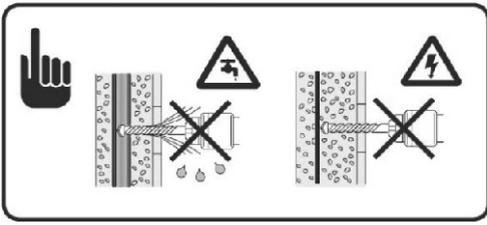
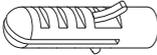
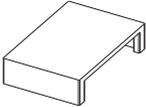
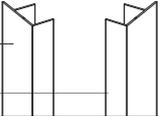
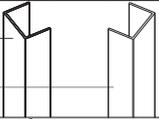
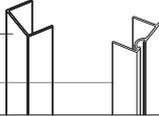
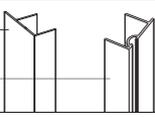
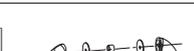
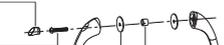
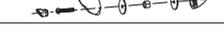


1~7

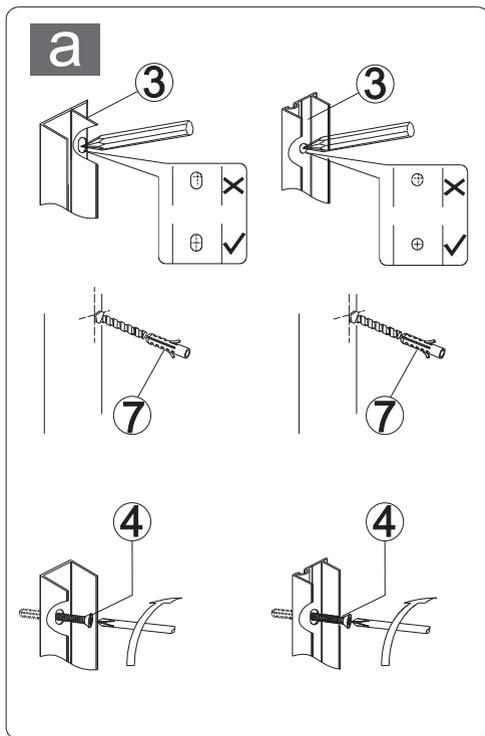
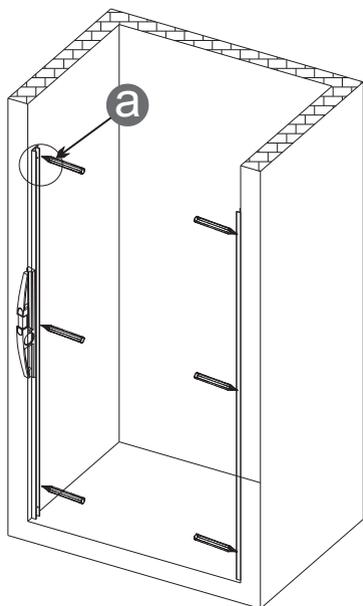


8~13

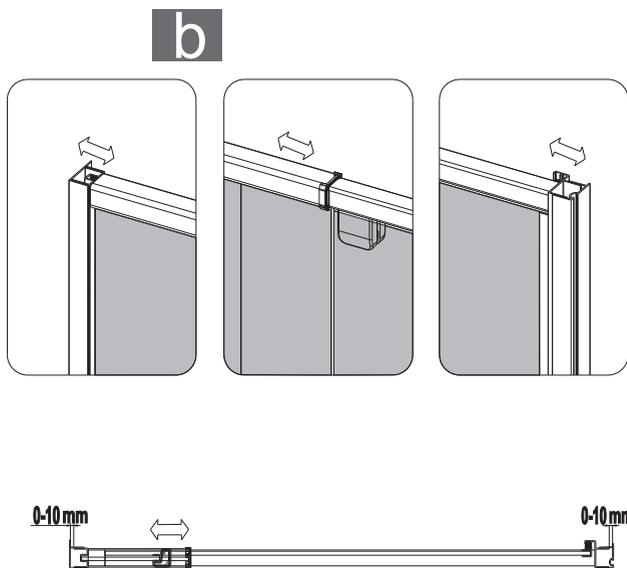
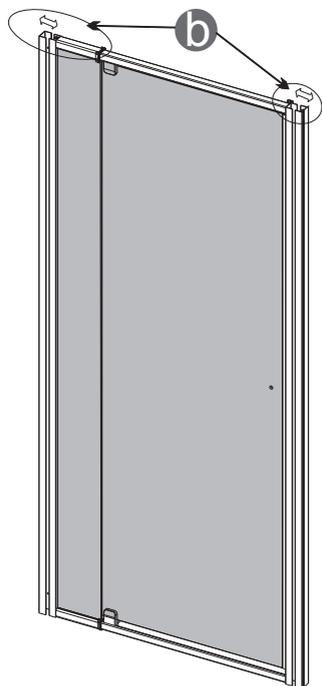


NO.	Designation	Pieces	NO.	Designation	Pieces
1		1	7	 $\phi 8$	7
2		1	8		2
3	E 	1	9		2
	F 	1			
	G 	1			
	H 	1			
4	 ST4X35	7	10	A ₁ 	1
	 ST4X35	7		A ₂ 	2
5	 ST4X12	7 or 9		A ₃ 	4
				A ₄ 	2
6				B ₁ 	2
				B ₂ 	2
			B ₃ 	1	
			B ₄ 	1	
			C ₁ 	2	
			C ₂ 	2	
			C ₃ 	1	
			C ₄ 	4	
			C ₅ 	2	
			C ₆ 	1	
			D No handle		
			 $\phi 8$ $\phi 3.2$		

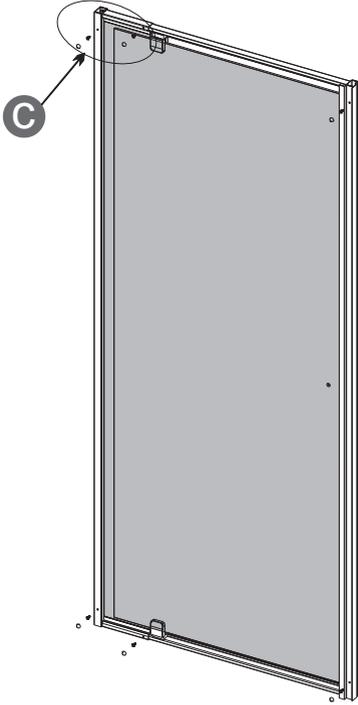
1.



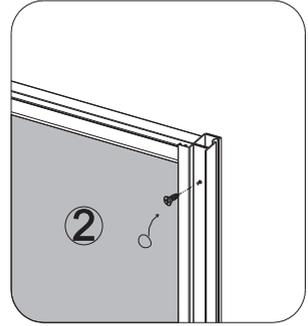
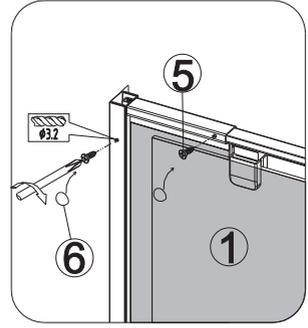
2.



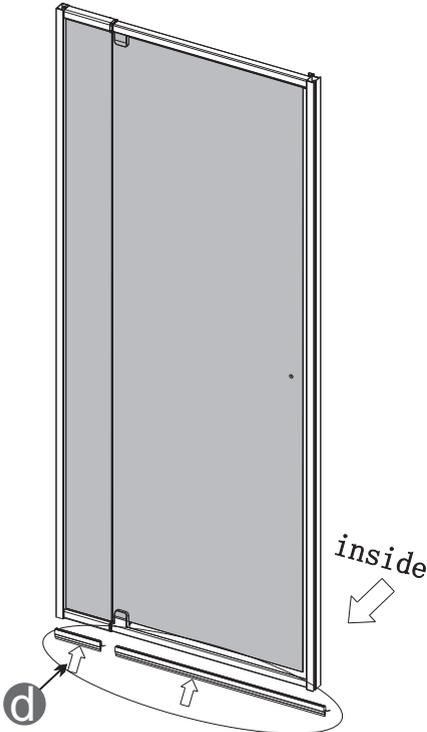
3.



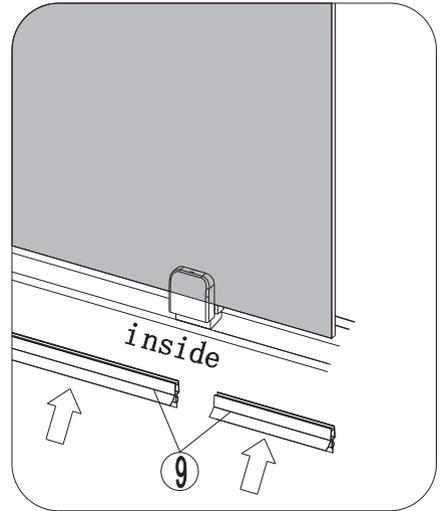
C



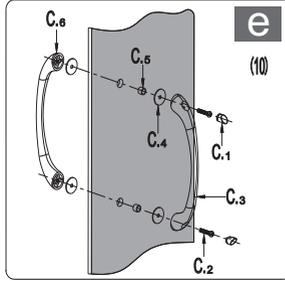
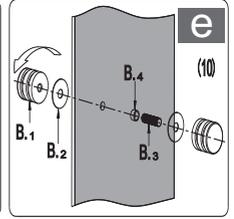
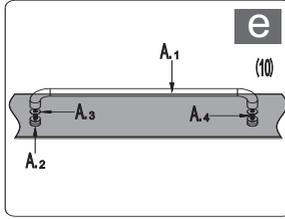
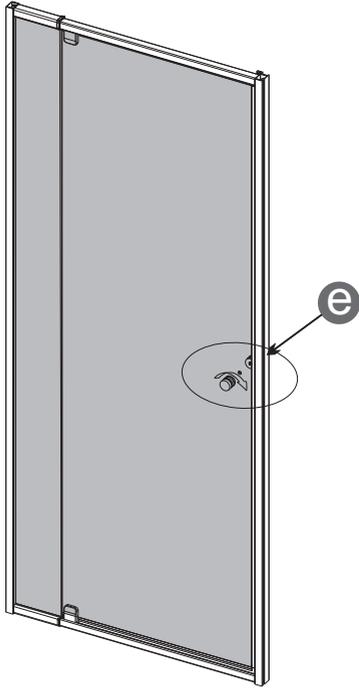
4.



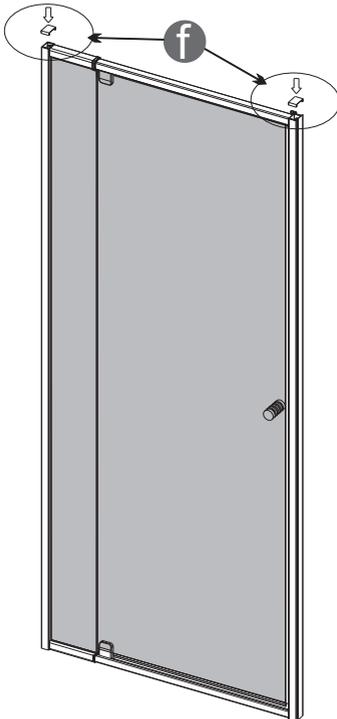
d



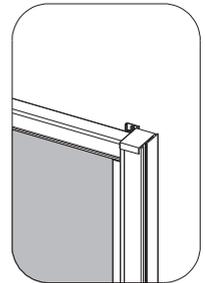
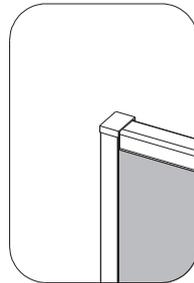
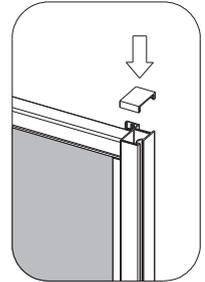
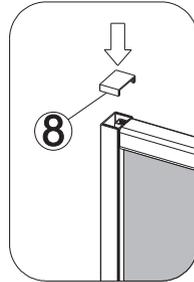
5.



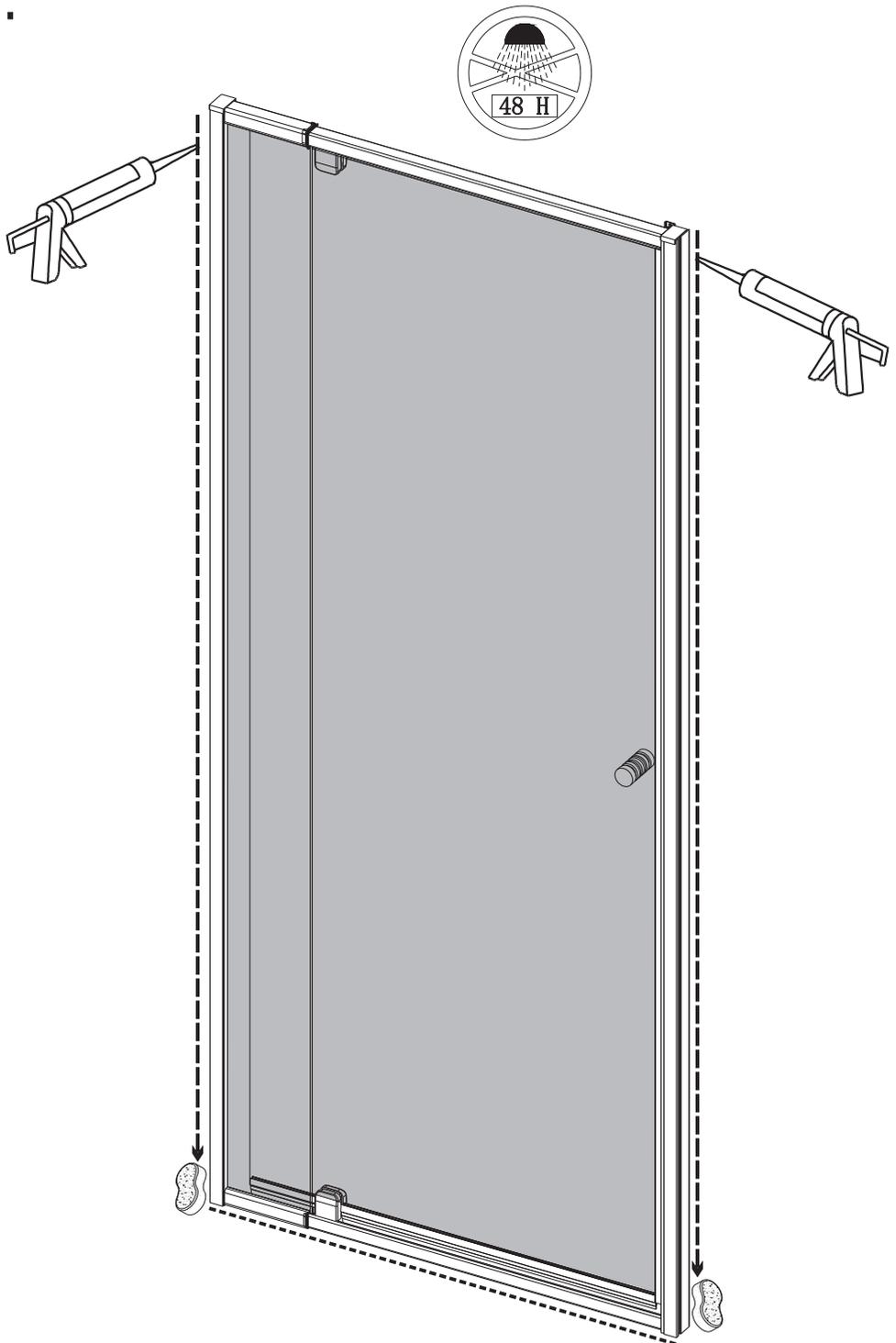
6.

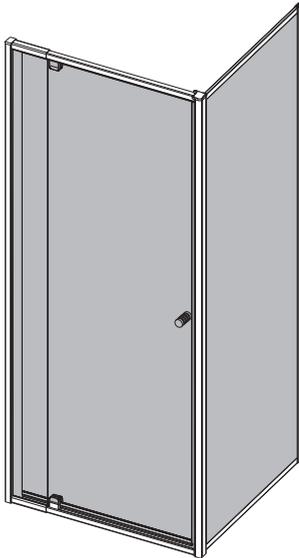
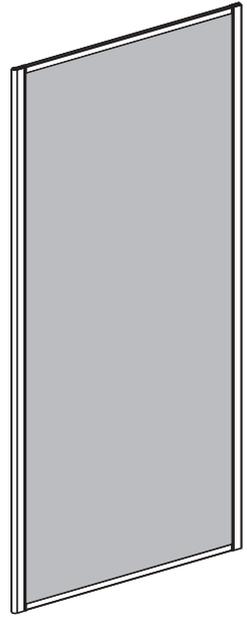
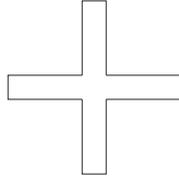
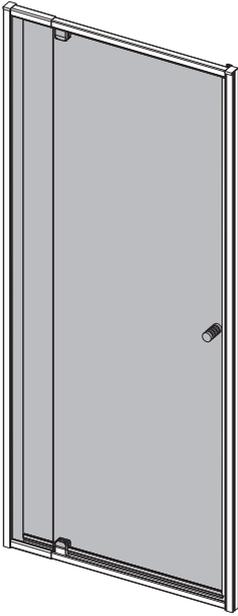


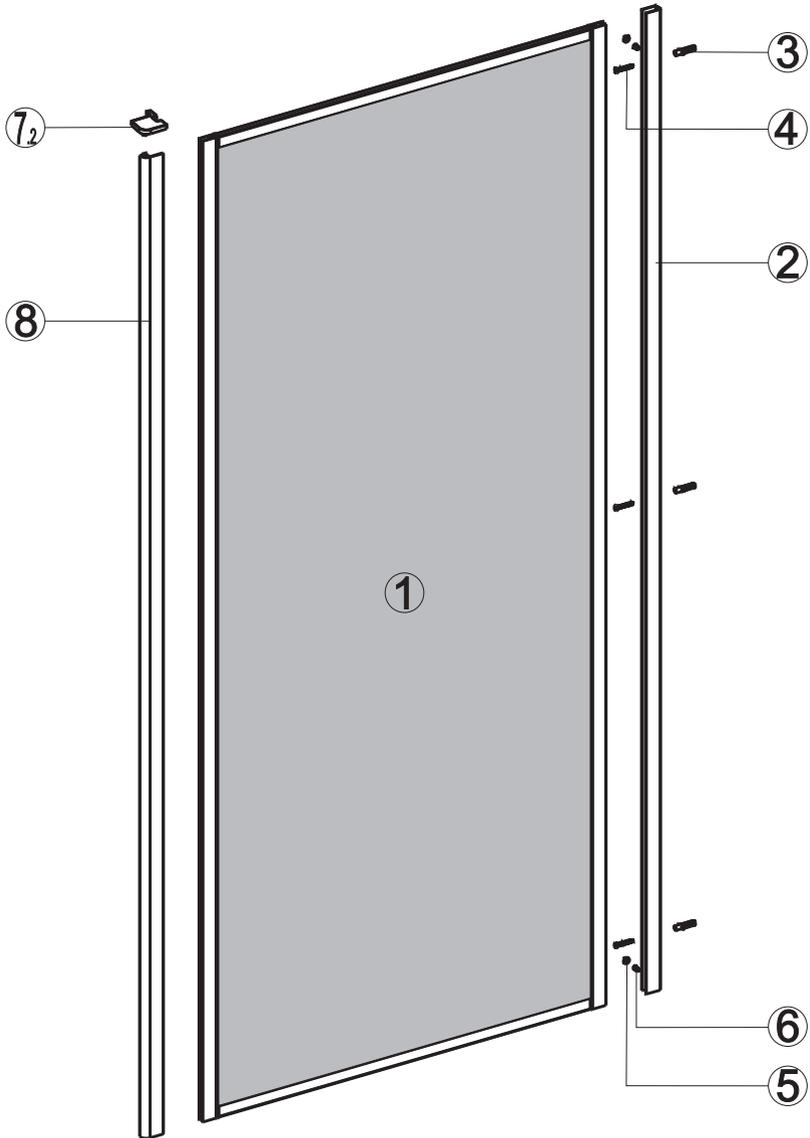
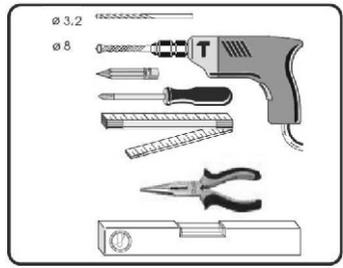
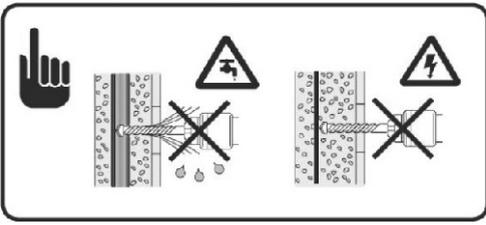
f

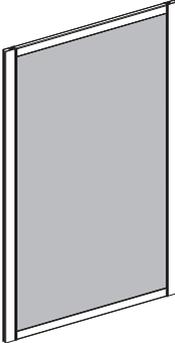
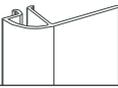


7.

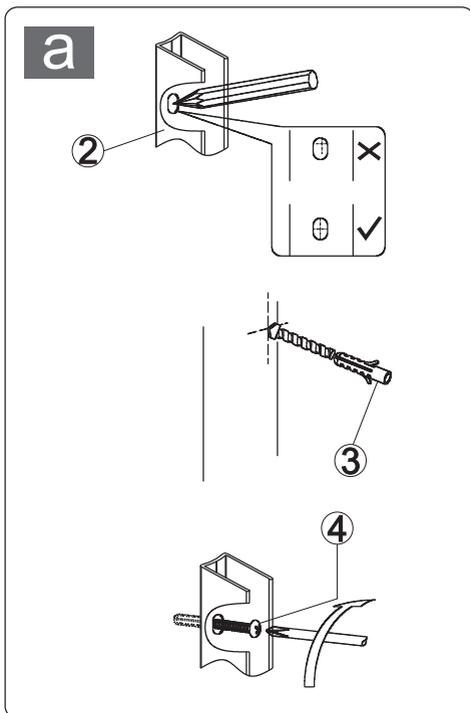
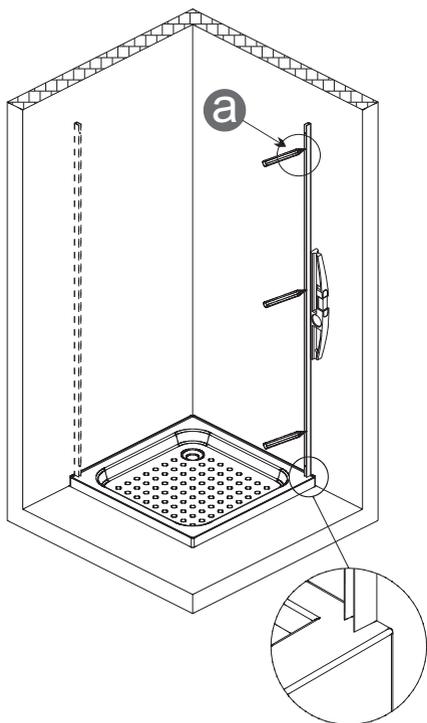




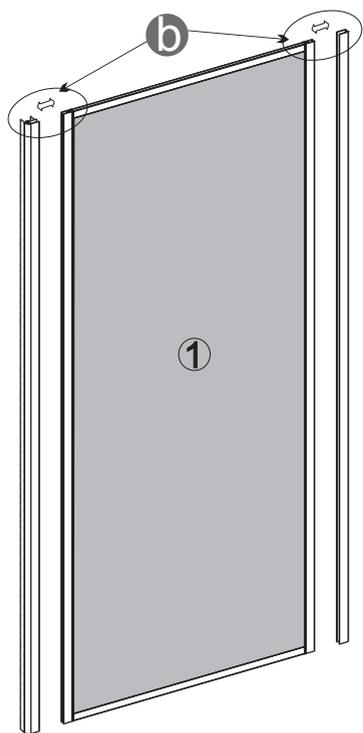


NO.	Designation	Pieces	NO.	Designation	Pieces
1		1	7.1		1
2		1	7.2		1
3		4	8		1
4		4			<p data-bbox="880 655 925 711"> $\phi 8$ $\phi 3.2$ </p>
5		5			
6		5			

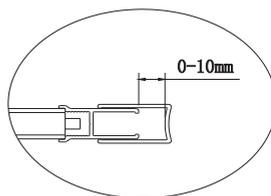
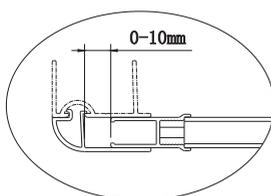
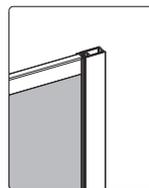
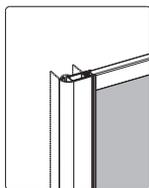
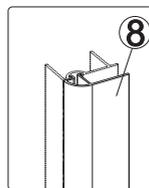
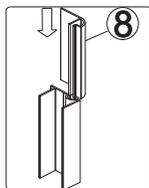
1.



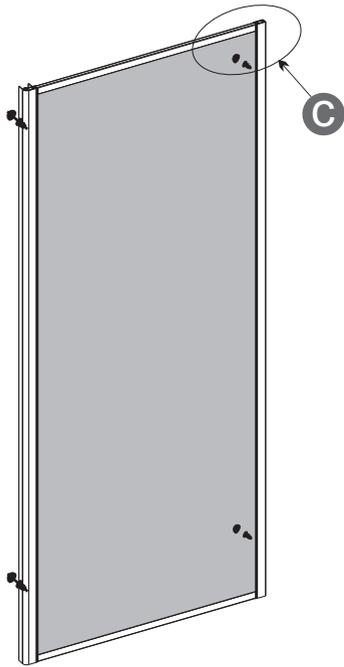
2.



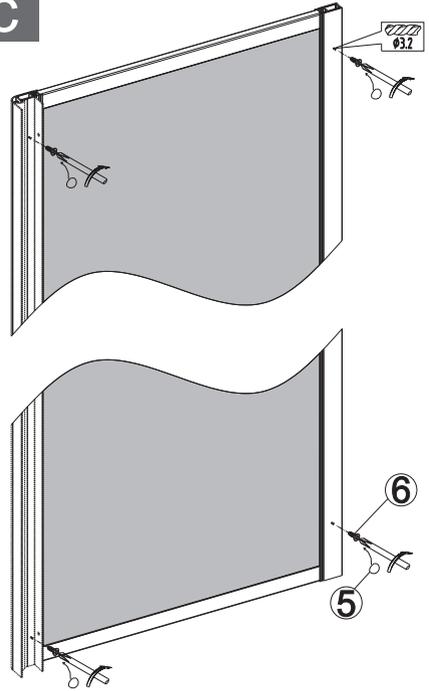
b



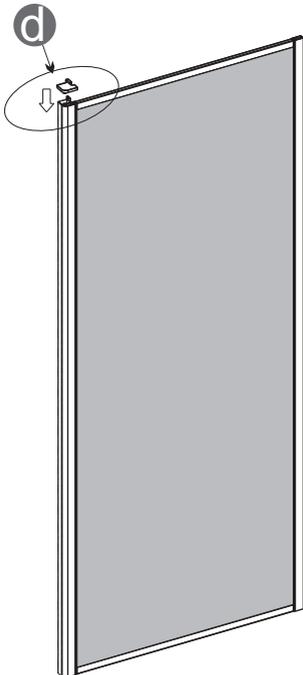
3.



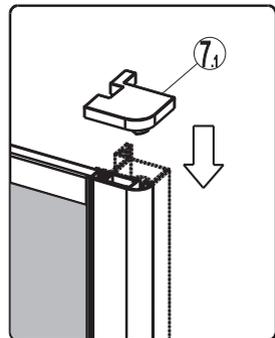
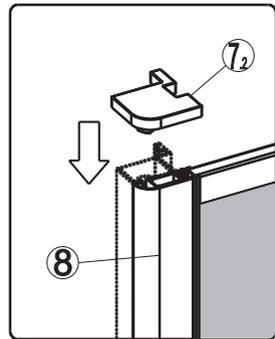
C



4.



d



5.

