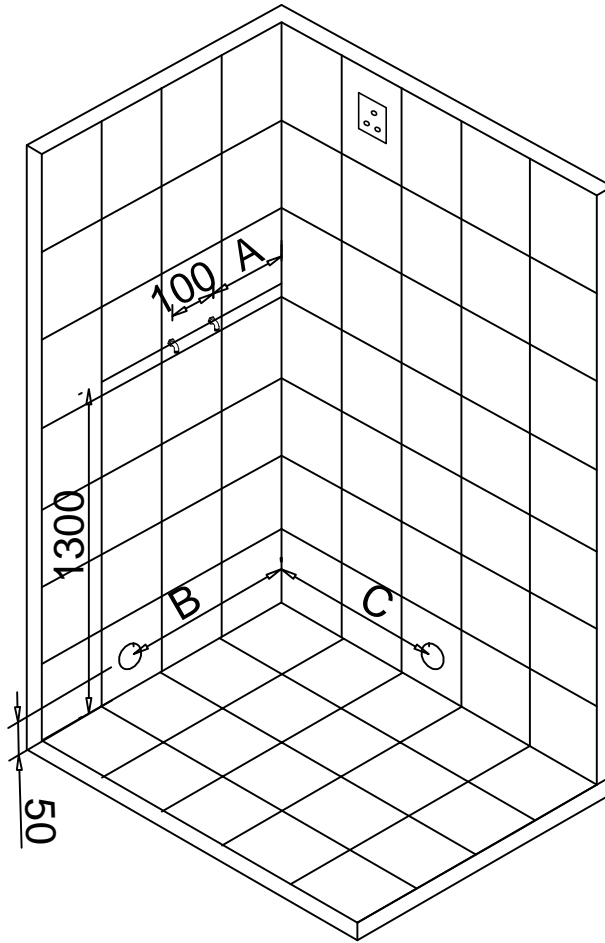
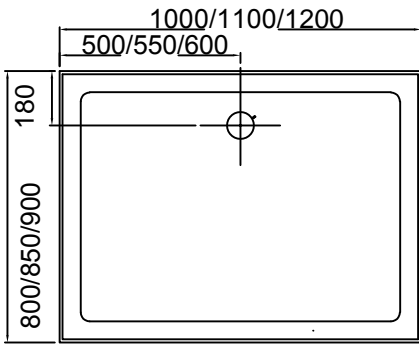
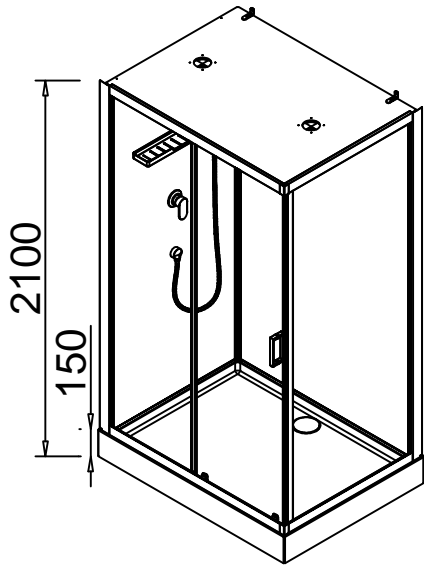


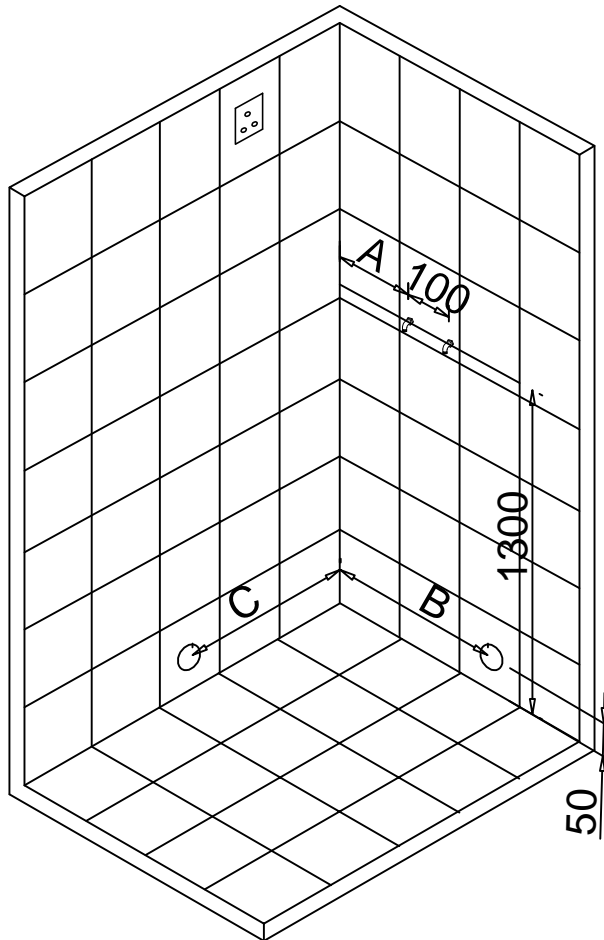
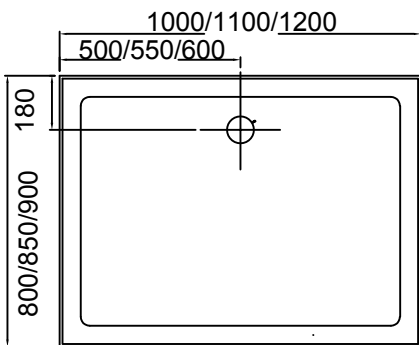
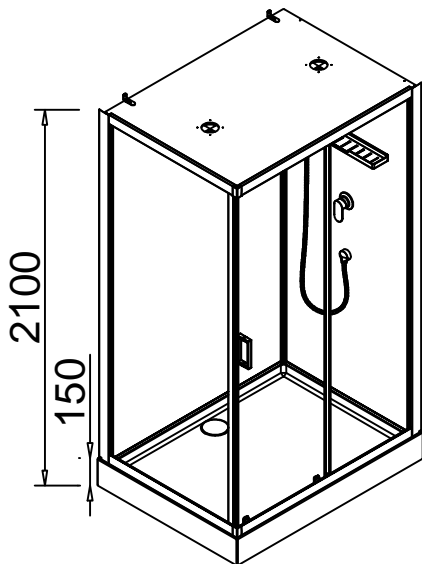
ESE-108,118,129CKR



ESE-108CKR
 A=350
 B=500
 C=700

ESE-118CKR
 A=350
 B=550
 C=800

ESE-129CKR
 A=350
 B=600
 C=900



ESE-108CKR
 A=350
 B=500
 C=700

ESE-118CKR
 A=350
 B=550
 C=800

ESE-129CKR
 A=350
 B=600
 C=900